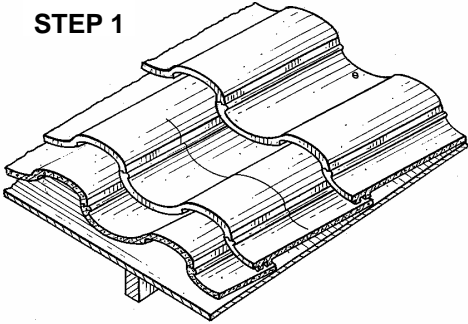


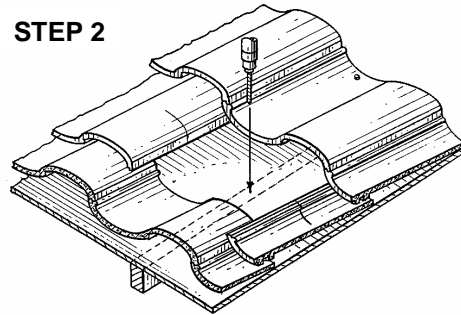
# INSTALLATION OF TILE TRAC®

**STEP 1**



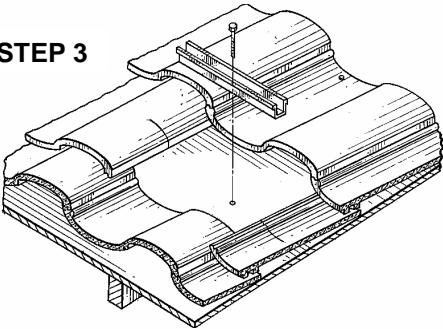
**STEP 1:** MARK A REFERENCE LINE ACROSS THE TILES IN THE VICINITY OF THE ROOF RAFTER. REMOVE THE ROOF TILE BY PUSHING AND PULLING ON THE TILE: IT IS HELD IN PLACE BY A SMALL NAIL. LIFT WITH A FLAT NAIL BAR IF NECESSARY.

**STEP 2**



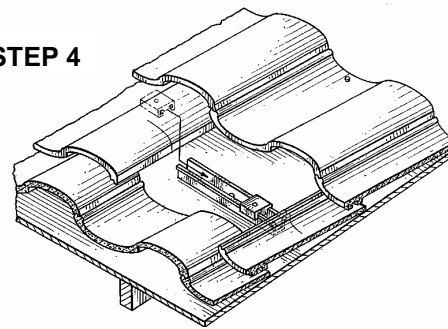
**STEP 2:** LOCATE THE CENTER OF THE RAFTER BY TAPPING WITH A HAMMER OR USING AN ELECTRONIC STUD SENSOR. AFTER LOCATING THE CENTER OF THE RAFTER DRILL A 3/16" PILOT HOLE IN LINE WITH THE CHALK LINE.

**STEP 3**



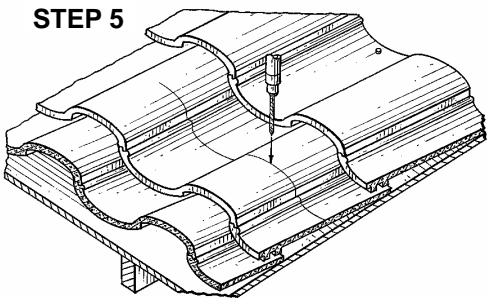
**STEP 3:** INSTALL THE LOWER TRACK ASSEMBLY USING A 5/16" LAG BOLT AND SPECIAL WASHER. PLACE SEALANT AROUND BOLT AND LOWER TRACK, BE SURE TO SEAL THE NAIL HOLE FROM THE TILE YOU REMOVED.

**STEP 4**



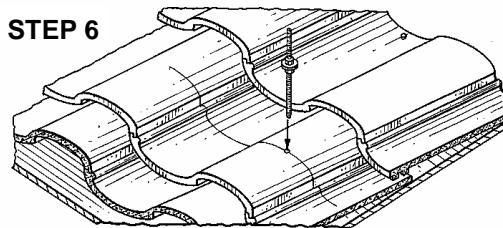
**STEP 4:** AFTER INSTALLING THE LOWER TRACK, SLIDE THE UPPER MOVABLE CARRIAGE ASSEMBLY INTO POSITION AT THE HIGH POINT OF THE TILE.

**STEP 5**



**STEP 5:** REPLACE THE TILE AND DRILL A 3/8" HOLE USING A MASONRY DRILL, INTERSECTING THE REFERENCE LINE AND THE HIGH POINT OF THE TILE.

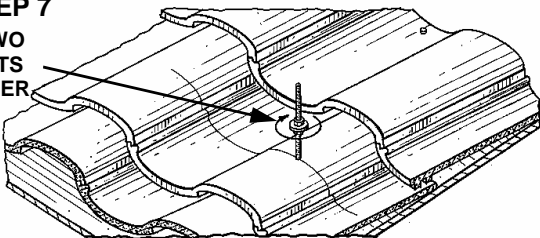
**STEP 6**



**STEP 6:** INSERT THE THREADED SHAFT THROUGH THE HOLE IN THE ROOF TILE, LOCATING THE UPPER **TILE TRAC®** CARRIAGE. IF NECESSARY, PICK UP THE ROOF TILE TO ASSIST IN STARTING THE THREADED SHAFT. INSERT AND LOCK TWO 3/8" NUTS ON THE THREADED SHAFT AND TIGHTEN DOWN USING A 9/16" WRENCH.

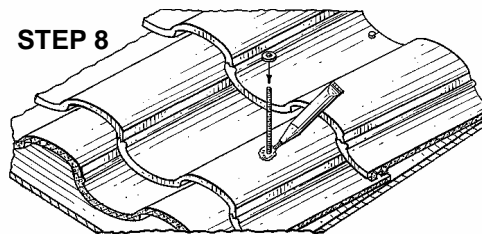
**STEP 7**

**BIND TWO 3/8" NUTS TOGETHER**



**STEP 7:** INSERT AND LOCK TWO 3/8" NUTS ON THE THREADED SHAFT AND TIGHTEN DOWN USING A 9/16" WRENCH.

**STEP 8**



**STEP 8:** APPLY SEALANT AROUND THE THREADED SHAFT COMPRESSING THE SEALANT WITH THE ENCLOSED 3/8" WASHER.

**REFER TO PAGE SIX FOR INSTALLATION OF THE SUPPORT RAIL.**